



25 Dissipation 100Hz (see table 2)  
leakage current

25		0.002CRUR	μA	or 2μA (whichever is less)
85		0.01CRUR	μA	or 10μA (whichever is less)
175		0.03 CRUR	μA	or 30μA (whichever is less)

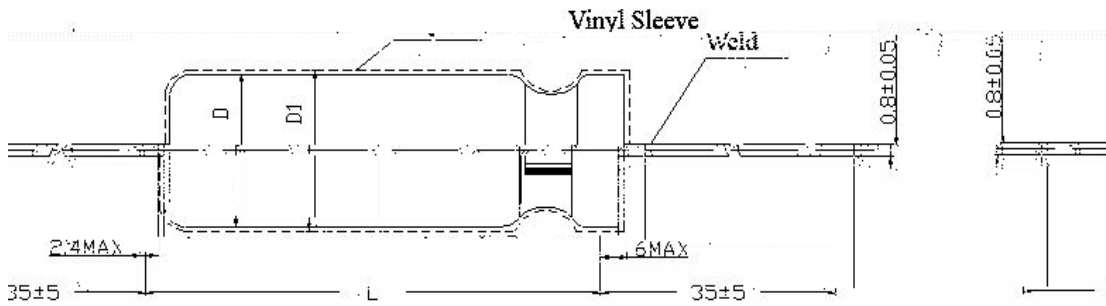




Table2 Rated Voltage, derated voltage, capacitance, case code and dissipation factor

Rated Voltage U <sub>R</sub> (V)	Derated Voltage U <sub>C</sub> (V)	Case Code	Cap. C <sub>R</sub> (μF)	tg (%) 25	Rated Voltage U <sub>R</sub> (V)	Derated Voltage U <sub>C</sub> (V)	Case Code	Cap. C <sub>R</sub> (μF)	tg (%) 25				
6.3	3	1	22	45	25	13	2	47	30				
		1	33	45			2	68	30				
		1	47	45			2	100	40				
		1	68	45			3	150	45				
		2	100	50			4	220	60				
		2	150	50			4	330	60				
		3	220	70			5	470	65				
		3	330	75			6	680	70				
		4	470	95			1	4.7	15				
		4	680	95			1	6.8	20				
		5	1000	100			1	10	20				
		5	1200	120			1	15	25				
		10	5	1			15	40	40	20	1	22	30
				1			22	40			2	33	30
1	33			40	2	47	35						
1	47			45	2	68	30						
1	68			45	3	100	45						
2	100			50	4	150	45						
2	150			60	5	220	45						
3	220			65	5	330	50						
3	330			80	6	470	60						
4	470			85	7	680	80						
4	680			85	1	3.3	10						
				1	4.7	20	1	4.7			15		

16

8

50

25

